



HIGH EFFICIENCY 16 SEER TWO-STAGE HEAT PUMP WITH OBSERVER™ COMMUNICATING CONTROL SYSTEM 2 THRU 5 TONS SPLIT SYSTEM

208/230 Volt, 1-phase, 60 Hz
REFRIGERATION CIRCUIT

- Copeland Scroll® Ultratech™ compressors on all models
- Crankcase Heater factory installed
- Suction line accumulator factory installed
- Bi-flow filter-drier included for field installation
- Integrated solid state control with Time-Temperature Defrost
- High and low pressure switches
- Discharge gas thermostat
- Copper tube / aluminum fin coil

PERFORMANCE

- Self configuring installation capabilities with Observer Communicating Wall Control
- Outdoor temperature sensor factory installed
- Ball Bearing PSC Fan Motors on all models
- High performance compressor sound shield standard
- Isolation compressor grommets

EASY TO INSTALL AND SERVICE

- Text based diagnostics with Observer Communicating Wall Control
- Only 2 control wires required from communicating indoor unit to condenser
- Easy access service valves on all models
- Innovative control box design
- External high and low refrigerant service ports
- Only two screws to access control panel
- Factory charged with R-410A refrigerant

BUILT TO LAST

- High gloss, baked-on powder coat finish over galvanized steel
- Post-painted (black) coil fins
- Coated, weather-resistant cabinet screws
- Coated inlet grille with 3/8" (10mm) spacing for extra protection (hail guard)
- Corner posts for extra strength and style

WARRANTY*

- 10 year No Hassle Replacement™ limited warranty
- 5 year parts limited warranty (including compressor and coil)
 - With timely registration, an additional 5 year parts limited warranty (including compressor and coil)

* Applies to original purchaser/homeowner, some limitations may apply. See Warranty certificate for complete details.



TSTAT0101SC
(Order Separately)



This product has been designed and manufactured to meet ENERGY STAR criteria for energy efficiency when matched with appropriate coil components. However, proper refrigerant charge and proper air flow are critical to achieve rated capacity and efficiency. Installation of this product should follow the manufacturer's refrigerant charging and air flow instructions. Failure to confirm proper charge and airflow may reduce energy efficiency and shorten equipment life.

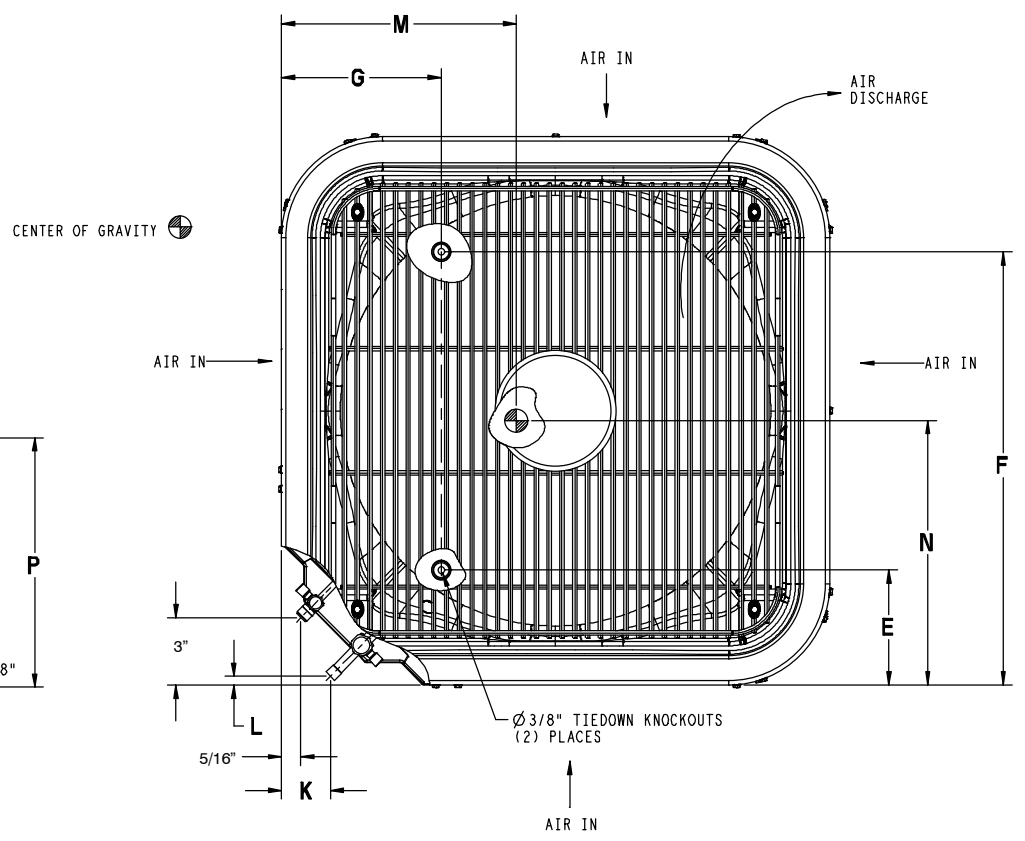
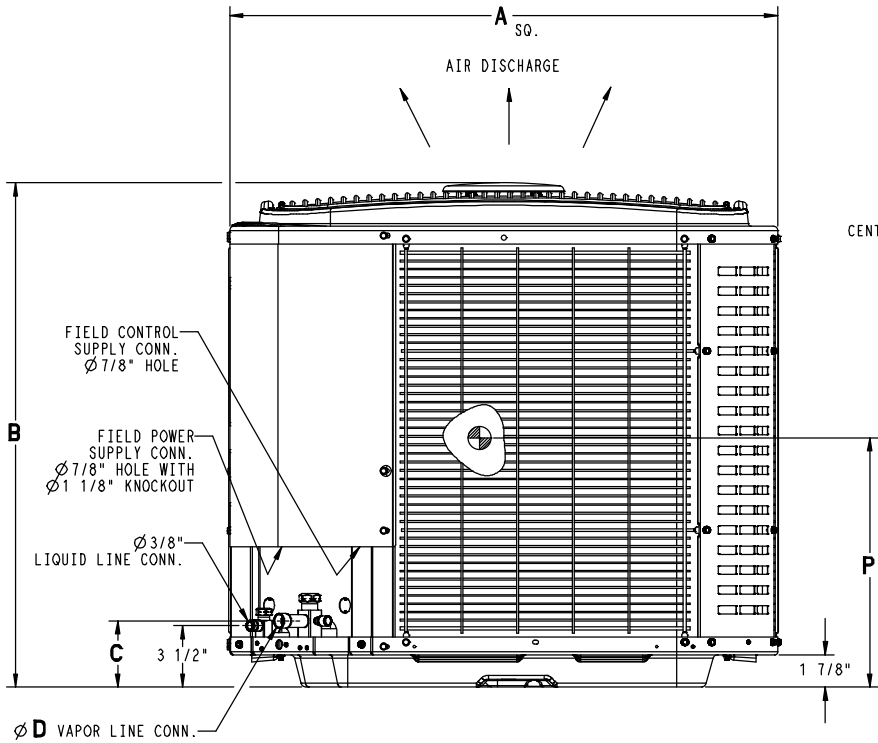


Use of the AHRI Certified TM Mark indicates a manufacturer's participation in the program. For verification of certification for individual products, go to www.ahridirectory.org.

Model Number	Size (tons)	Nominal Btu/hr	Min. Circuit Ampacity	Max. Fuse or Breaker	Operating Dimensions height x width x depth in. (mm)	Ship / Operating Weight lbs. (kg)
CCH624GKA1	2	24,000	16.4	25	40-1/4 x 35 x 35 (1023 x 889 x 889)	292 / 249 (132 / 113)
CCH624GKA3	2	24,000	16.2	25	40-1/4 x 35 x 35 (1023 x 889 x 889)	292 / 249 (132 / 113)
CCH636GKA1	3	36,000	21.8	35	40-1/4 x 35 x 35 (1023 x 889 x 889)	313 / 270 (142 / 123)
CCH636GKA2	3	36,000	23.7	40	40-1/4 x 35 x 35 (1023 x 889 x 889)	313 / 270 (142 / 123)
CCH648GKA1	4	48,000	34.8	50	40-1/4 x 35 x 35 (1023 x 889 x 889)	345 / 302 (157 / 137)
CCH648GKA2	4	48,000	29.8	50	40-1/4 x 35 x 35 (1023 x 889 x 889)	345 / 302 (157 / 137)
CCH660GKA1	5	60,000	30.1	50	47-1/16 x 35 x 35 (1196 x 889 x 889)	369 / 323 (167 / 147)
CCH660GKA2	5	60,000	37.5	60	47-1/16 x 35 x 35 (1196 x 889 x 889)	369 / 323 (167 / 147)

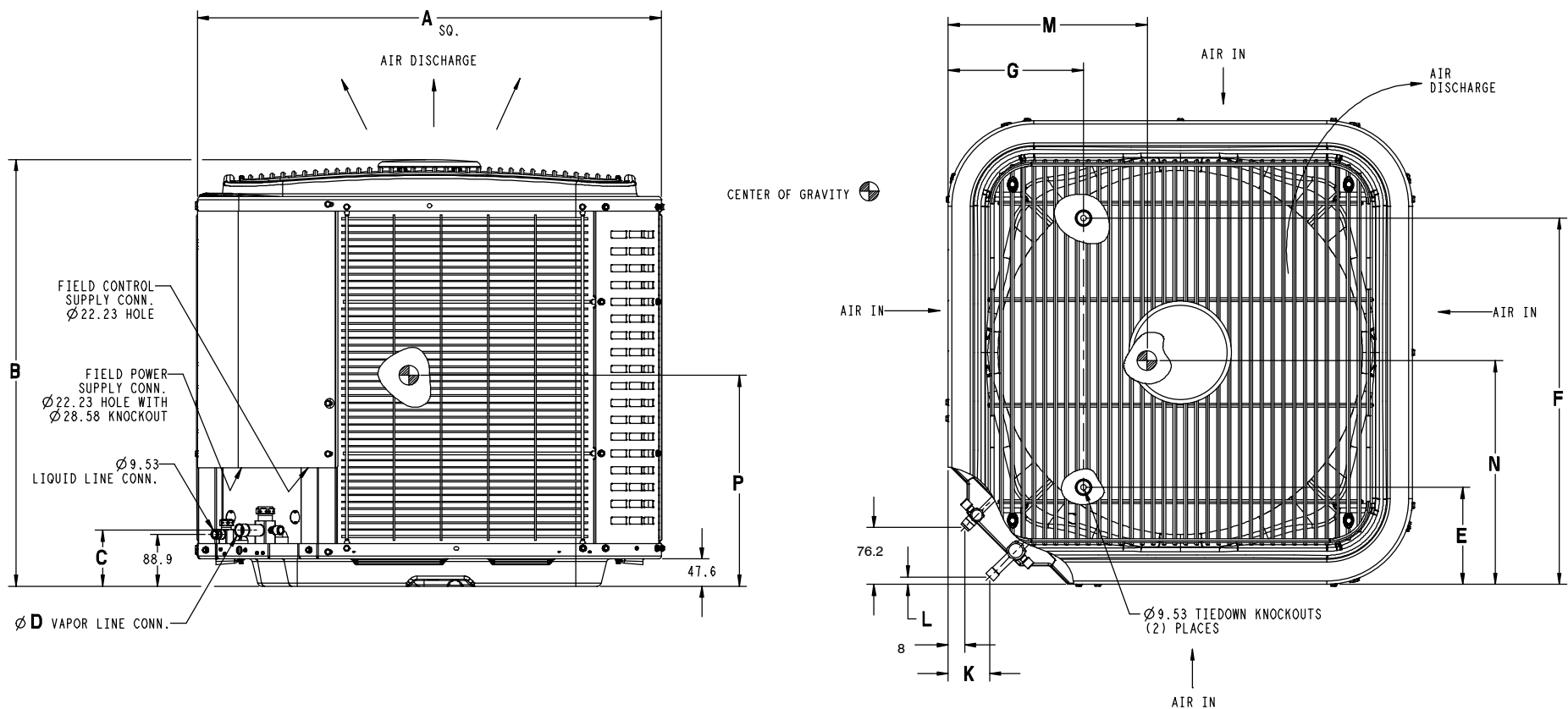
OUTDOOR UNIT MODEL NUMBER IDENTIFICATION GUIDE (single phase)											
Digit Position:	1	2	3	4	5, 6	7	8	9	10	11	12
Example Part Number:	C	C	H	6	24	G	K	A	2	0	0
C = Comfortmaker Mainline BRANDING											
C = Communicating KEY CHARACTERISTIC											
A = Air Conditioner H = Heat Pump TYPE											
6 = 16 SEER 7 = 17 SEER 8 = 18 SEER 9 = 19 SEER NOMINAL EFFICIENCY											
24 = 24,000 BTUH = 2 tons 36 = 36,000 BTUH = 3 tons 48 = 48,000 BTUH = 4 tons 60 = 60,000 BTUH = 5 tons NOMINAL CAPACITY											
G = Coil Guard Grille FEATURES											
K = 208-230-1-60 VOLTAGE											
Sales Code											
Engineering Revision											
Extra Digit											
Extra Digit											

ACCESSORIES PART NUMBER IDENTIFICATION GUIDE									
Digit Position:	1	2	3	4	5	6, 7	8, 9	10, 11	
Example Part Number:	N	A	S	A	0	01	01	CH	
N = Non-Branded									
A = Accessory PRODUCT GROUP									
S = Split System (AC & HP) KIT USAGE									
A = Original B = 2nd Generation MAJOR SERIES									
0 = Generic or Not Applicable 2 = R-22 4 = R-410A REFRIGERANT									
Product Identifier Number									
Package Quantity									
Type of Kit (Example: CH = Crankcase Heater)									



Dimensions Inches (English)

Model CCH6	A	B	C	D	E	F	G	K	L	M	N	P	Minimum Mounting Pad Size	Crated Dimensions L x W x H
24GKA1	35	40-1/4	3-3/4	3/4	6-9/16	28-7/16	9-1/8	2-13/16	1/2	15-3/4	16-1/2	16-1/2	35 x 35	36-1/8 x 39-1/4 x 46-1/8
24GKA3	35	40-1/4	3-3/4	3/4	6-9/16	28-7/16	9-1/8	2-13/16	1/2	17-1/4	18	18	35 x 35	36-1/8 x 39-1/4 x 46-1/8
36GKA1	35	40-1/4	3-7/8	7/8	6-9/16	28-7/16	9-1/8	2-15/16	5/8	15-3/4	17	17	35 x 35	36-1/8 x 39-1/4 x 46-1/8
36GKA2	35	40-1/4	3-7/8	7/8	6-9/16	28-7/16	9-1/8	2-15/16	5/8	17	18-1/2	18-3/4	35 x 35	36-1/8 x 39-1/4 x 46-1/8
48GKA1	35	40-1/4	3-7/8	7/8	6-9/16	28-7/16	9-1/8	2-15/16	5/8	16-3/4	14	14	35 x 35	36-1/8 x 39-1/4 x 46-1/8
48GKA2	35	40-1/4	3-7/8	7/8	6-9/16	28-7/16	9-1/8	2-15/16	5/8	17-1/2	18-1/4	20	35 x 35	36-1/8 x 39-1/4 x 46-1/8
60GKA1	35	47-1/16	3-7/8	7/8	6-9/16	28-7/16	9-1/8	2-15/16	5/8	17-1/4	18-1/4	18-1/4	35 x 35	36-1/8 x 39-1/4 x 50-13/16
60GKA2	35	47-1/16	3-7/8	7/8	6-9/16	28-7/16	9-1/8	2-15/16	5/8	16-1/2	17-1/8	21	35 x 35	36-1/8 x 39-1/4 x 50-13/16



Specifications subject to change without notice.

Dimensions mm (SI Metric)

Model CCH6	Dimensions mm (SI Metric)												Minimum Mounting Pad Size	Crated Dimensions L x W x H
	A	B	C	D	E	F	G	K	L	M	N	P		
24GKA1	889	1023	96	19	166	723	231	71	13	400	426	419	889 x 889	918 x 998 x 1172
24GKA3	889	1023	96	19	166	723	231	71	13	438	457	457	889 x 889	918 x 998 x 1172
36GKA1	889	1023	98	22	166	723	231	75	16	400	426	432	889 x 889	918 x 998 x 1172
36GKA2	889	1023	98	22	166	723	231	75	16	432	470	476	889 x 889	918 x 998 x 1172
48GKA1	889	1023	98	22	166	723	231	75	16	426	413	356	889 x 889	918 x 998 x 1172
48GKA2	889	1023	98	22	166	723	231	75	16	445	464	508	889 x 889	918 x 998 x 1172
60GKA1	889	1196	98	22	166	723	231	75	16	438	413	464	889 x 889	918 x 998 x 1290
60GKA2	889	1196	98	22	166	723	231	75	16	419	435	533	889 x 889	918 x 998 x 1290

PHYSICAL DATA				
Model Size	24	36	48	60
Nominal Cooling Capacity (BTU/hr)	24,000	36,000	48,000	60,000
SEER Rating‡	17.0	17.0	16.0	16.0
Sound Rating**, High Stage (dBA)	72	73	72	72
Low Stage (dBA)	68	70	71	72
PSC Fan Motor HP	1/12	1/12	1/4	1/4
Fan RPM	800	800	825	825
Fan CFM	3200	3200	4350	5000
Coil Face Area (ft ²)	25.15	25.15	25.15	30.18
Coil Rows – fins per inch	2–20	2–20	2–20	2–20
Low Pressure Switch	Open Pressure Close Pressure	23 ± 5 PSIG 55 ± 5 PSIG	23 ± 5 PSIG 55 ± 5 PSIG	23 ± 5 PSIG 55 ± 5 PSIG
Hi Pressure Switch	Open Pressure Close Pressure	670 ± 10 PSIG 470 ± 25 PSIG	670 ± 10 PSIG 470 ± 25 PSIG	670 ± 10 PSIG 470 ± 25 PSIG
Liquid Line Connection Size in. (mm)	3/8 (10)	3/8 (10)	3/8 (10)	3/8 (10)
Vapor Line Connection Size in. (mm)	3/4 (19)	7/8 (22)	7/8 (22)	7/8 (22)
Recommended Line Set Liquid Tube Diameter in. (mm)	3/8 (10)	3/8 (10)	3/8 (10)	3/8 (10)
Recommended Line Set Vapor Tube Diameter in. (mm)*	3/4 (19)*	7/8 (22)*	1–1/8 (29)*	1–1/8 (29)*
* Recommended Vapor Tube Line size is for standard installations. These recommendations may not apply to “Long Line” installations. When the total equivalent line length exceeds 80 feet (24.4m) or there is more than 20 feet (6.1m) vertical separation between indoor and outdoor units, consult the Long Line Application Guideline document before purchasing/installing line sets.				
Factory Charge R-410A lbs. (kg)	13.07 (5.93)	13.70 (6.21)	13.73(6.23)	14.78 (6.70)
Required Subcooling °F (°C)	10 (5.6)	13 (7.2)	12 (6.7)	11 (6.1)
Outdoor Unit Factory Piston Size (used in Outdoor Unit for heating mode)	46	55	61	67

ELECTRICAL DATA (208–230–1–60, voltage range 197V – 253V)								
Model Size	24GKA1	24GKA3	36GKA1	36GKA2	48GKA1	48GKA2	60GKA1	60GKA2
Minimum Circuit Ampacity – MCA (amps)	16.4	16.2	21.8	23.7	34.8	29.8	30.1	37.5
Maximum OverCurrent Protective device – MOCP (amps)	25	25	35	40	50	50	50	60
Compressor RLA (Rated Load Amps)	12.7	12.5	16.7	18.5	26.9	22.8	23.0	28.8
LRA (Locked Rotor Amps)	52.0	58.3	82.0	83.0	96.0	104.0	118.0	152.9
Fan Motor FLA (Full Load Amps)	0.5	0.6	0.9	0.6	1.3	1.3	1.4	1.5

‡ Highest sales volume tested combination.

**Sound Rating tested in accordance with AHRI Standard 270–95 (not listed with AHRI).

R-410A COOLING CAPACITY LOSS FOR VARIOUS LINE LENGTHS & TUBE DIAMETERS											
Unit Nominal Size (Btuh)	Maximum Liquid Line Diameter (OD) in.(mm)	Vapor Line Diameters (OD) in. (mm)	Cooling Capacity Loss (%) at Total Equivalent Line Length, feet (m)								
			26-50 (7.9-15.2)	51-80 (15.5-24.4)	81-100 (24.7-30.5)	101-125 (30.8-38.1)	126-150 (38.4-45.7)	151-175 (46.0-50.3)	176-200 (53.6-60.0)	201-225 (61.3-68.6)	226-250 (68.9-76.2)
24 2-Stage HP	3/8 (10)	5/8 (16)	0	1	1	2	3	3	4	4	5
		3/4 (19)	0	1	1	1	1	1	1	1	1
36 2-Stage HP		5/8 (16)	1	2	4	5	6	7	9	10	11
		3/4 (19)	0	0	1	1	2	2	3	3	4
		7/8 (22)	0	0	-	-	-	-	-	-	-
48 2-Stage HP		3/4 (19)	1	2	2	3	4	5	6	7	7
		7/8 (22)	0	1	1	2	2	2	3	3	4
		1-1/8 (29)	0	0	-	-	-	-	-	-	-
60 2-Stage HP		3/4 (19)	1	2	4	5	6	8	9	10	11
		7/8 (22)	0	1	2	2	3	4	4	5	5
		1-1/8 (29)	0	0	-	-	-	-	-	-	-

Standard Length – 80 ft. (24.4m) or less total equivalent length.

Applications in this area are long line. Accessories are required as shown recommended on the AC & HP R410A Split System Long Line Applications Guideline.

Applications in this area may have height restrictions that limit allowable total equivalent length, when outdoor unit is below indoor unit.

- Applications in this area are not recommended due to insufficient oil return.

TESTED AHRI COMBINATION RATINGS*

NOTE: Ratings contained in this document are subject to change at any time.

For AHRI ratings certificates, please refer to the AHRI directory. www.ahridirectory.org

Additional ratings and system combinations can be accessed via the Comfortmaker database at:

<http://www.icpeqp.com/AHRIratings/ratings.aspx?Brand=Comfortmaker>

Or scan this QR code:



COOLING & HEATING PERFORMANCE FOR COMBINATION RATINGS Indoor Models																	
AHRI STANDARD RATINGS																	
Unit Size	Indoor Model *Model Tested	Furnace Model	Cooling						Heating								
			Capacity		SEER	EER	ID CFM		High Temp				Low Temp				HSPF
			High	Low			High	Low	Capacity		COP		Capacity		COP		
					High	Low			High	Low	High	Low	High	Low	High	Low	
CCH624GKA1	*FVM4X24****		23800	20200	16.5	13.0	700	560	25400	17700	3.82	3.82	15300	9500	2.72	2.18	9.0
CCH624GKA3	*FVM4X24****		24000	21000	17.0	13.0	700	560	25000	17900	3.90	3.84	15300	10100	2.74	2.32	9.0
CCH636GKA1	*FVM4X60****		36400	28600	17.0	13.2	1050	840	35600	23800	4.06	4.06	22200	12200	2.94	2.28	9.5
CCH636GKA2	*FVM4X60****		36400	30800	17.0	13.3	1050	840	35800	25200	4.06	4.10	22600	15300	3.00	2.60	9.5
CCH648GKA1	*FVM4X48****		46500	38000	16.0	12.5	1400	1120	47000	33200	3.60	3.80	29400	20200	2.78	2.54	9.0
CCH648GKA2	*FVM4X48****		47000	39000	16.0	12.5	1400	1120	47000	33000	3.68	3.70	29200	19400	2.72	2.34	9.0
CCH660GKA1	*FCM4X60****		56500	45500	15.7	12.5	1750	1400	58000	41000	3.78	3.86	36600	25000	2.78	2.48	9.1
CCH660GKA2	*FVM4X60****		56500	46000	16.0	12.5	1750	1400	58000	39500	3.72	3.76	36000	23400	2.76	2.38	9.0

ENERGY STAR compliance for combinations with all three: SEER 14.50 or higher and EER 12.00 or higher and HSPF 8.2 or higher.

* AHRI = Air Conditioning, Heating & Refrigeration Institute

EERA — Energy Efficiency Ratio – 'A' conditions – 80°F (26.6°C) indoor db/67°F (19.4°C) indoor wb & 95°F (35° C) outdoor wb.

SEER — Seasonal Energy Efficiency Ratio

NOTES:

1. Ratings are net values reflecting the effects of circulating fan motor heat. Supplemental electric heat is not included.
2. Tested outdoor/indoor combinations have been tested in accordance with DOE test procedures for central air conditioners. Ratings for other combinations are determined under DOE computer simulation procedures.
3. Determine actual CFM values obtainable for your system by referring to fan performance data in fan coil or furnace coil literature.
4. Do not apply with capillary tube coils as performance and reliability are significantly affected.

EXPANDED COOLING PERFORMANCE RATINGS For GKA100 Outdoor / Indoor Models

For complete ratings information, use the AHRI website directory search: www.AHRIdirectory.org.
New ratings may be listed online before Specification Sheets are updated.

CFM		High Cool, CCH624GKA100 Outdoor With FVM4X24**** Indoor Cooling																								
		Outdoor Ambient Temperature - Degrees F, Dry Bulb																								
		75					85					95					105					115				
		Entering Indoor Temperature - Degrees F, Wet Bulb																								
600	MBh†	20.78	22.09	22.44	24.33	26.81	20.01	21.09	21.42	23.23	25.59	19.19	20.03	20.33	22.06	24.31	18.30	18.90	19.17	20.82	22.95	17.34	17.71	17.93	19.49	21.50
	S/T‡	1.00	0.87	0.70	0.68	0.52	1.00	0.88	0.72	0.69	0.52	1.00	0.90	0.73	0.70	0.53	1.00	0.93	0.74	0.72	0.54	1.00	0.95	0.76	0.73	0.54
	AMPS*	6.50	6.55	6.56	6.63	6.73	7.18	7.23	7.24	7.31	7.41	7.91	7.95	7.96	8.04	8.13	8.70	8.73	8.75	8.83	8.93	9.60	9.62	9.64	9.72	9.83
	HI PR	254	256	256	259	262	295	297	298	301	305	342	344	344	348	352	394	396	396	400	404	453	454	455	459	464
	LO PR	114	121	122	132	144	117	123	124	134	146	120	125	126	136	148	124	127	129	139	151	128	130	131	141	153
650	MBh†	21.43	22.53	22.89	24.81	27.31	20.63	21.50	21.83	23.66	26.05	19.77	20.41	20.70	22.46	24.73	18.84	19.25	19.50	21.17	23.33	17.84	18.04	18.22	19.80	21.83
	S/T‡	1.00	0.89	0.72	0.69	0.52	1.00	0.91	0.73	0.70	0.53	1.00	0.93	0.74	0.72	0.54	1.00	0.95	0.76	0.73	0.54	1.00	0.98	0.78	0.75	0.55
	AMPS*	6.55	6.60	6.61	6.68	6.78	7.24	7.27	7.29	7.36	7.46	7.96	7.99	8.01	8.08	8.18	8.76	8.78	8.79	8.87	8.98	9.65	9.67	9.68	9.77	9.88
	HI PR	255	256	257	260	263	296	298	299	302	305	343	344	345	348	353	395	396	397	401	405	454	455	456	460	464
	LO PR	117	123	124	134	146	120	125	126	136	148	124	127	129	138	151	127	130	131	141	153	131	132	133	143	155
700	MBh†	22.04	22.93	23.28	25.22	27.75	21.20	21.87	22.18	24.05	26.46	20.30	20.75	21.02	22.80	25.10	19.33	19.58	19.79	21.48	23.66	18.29	18.35	18.48	20.08	22.13
	S/T‡	1.00	0.91	0.73	0.71	0.53	1.00	0.93	0.74	0.72	0.54	1.00	0.95	0.76	0.73	0.54	1.00	0.97	0.78	0.75	0.55	1.00	1.00	0.80	0.77	0.56
	AMPS*	6.61	6.64	6.66	6.73	6.83	7.29	7.32	7.33	7.41	7.50	8.02	8.04	8.05	8.13	8.23	8.81	8.82	8.83	8.91	9.02	9.71	9.71	9.72	9.81	9.92
	HI PR	256	257	257	260	264	297	299	299	302	306	344	345	346	349	353	396	397	398	401	406	456	456	456	460	465
	LO PR	121	125	127	136	148	124	127	129	138	151	127	129	131	141	153	130	132	133	143	155	134	135	135	145	157
800	MBh†	23.11	23.63	23.93	25.92	28.51	22.21	22.53	22.78	24.68	27.15	21.24	21.39	21.56	23.37	25.72	20.20	20.23	20.27	21.99	24.21	19.08	19.11	18.90	20.52	22.61
	S/T‡	1.00	0.95	0.76	0.73	0.54	1.00	0.97	0.77	0.75	0.55	1.00	0.99	0.79	0.76	0.56	1.00	1.00	0.81	0.79	0.57	1.00	1.00	0.83	0.81	0.58
	AMPS*	6.71	6.73	6.74	6.82	6.92	7.39	7.40	7.41	7.49	7.59	8.11	8.12	8.13	8.21	8.31	8.91	8.91	8.91	8.99	9.10	9.80	9.80	9.80	9.88	9.99
	HI PR	257	258	258	261	265	299	300	300	303	307	346	346	347	350	354	398	398	398	402	407	457	457	457	461	466
	LO PR	126	129	130	140	152	129	131	132	142	154	133	133	134	144	156	136	136	136	146	159	140	140	138	148	161
Low Cool, CCH624GKA100 Outdoor With FVM4X24**** Indoor Cooling																										
CFM		Outdoor Ambient Temperature - Degrees F, Dry Bulb																								
		75					85					95					105					115				
		Entering Indoor Temperature - Degrees F, Wet Bulb																								
480	MBh†	17.44	16.79	17.09	18.75	20.92	14.10	14.72	14.97	16.45	18.36	12.34	12.74	12.94	14.24	15.91	10.63	10.85	10.99	12.12	13.56	9.00	9.07	9.15	10.12	11.34
	S/T‡	1.00	0.89	0.72	0.69	0.52	1.00	0.91	0.73	0.70	0.53	1.00	0.94	0.75	0.72	0.53	1.00	0.96	0.77	0.73	0.54	1.00	0.99	0.79	0.76	0.55
	AMPS*	4.27	4.18	4.19	4.24	4.29	4.96	4.97	4.98	5.03	5.08	5.88	5.90	5.90	5.95	6.01	6.99	7.00	7.01	7.05	7.11	8.34	8.34	8.35	8.40	8.47
	HI PR	247	246	246	249	252	285	286	286	289	293	330	331	331	334	338	380	381	382	385	389	437	438	438	442	446
	LO PR	128	124	125	135	146	122	126	127	137	148	125	128	130	139	151	129	131	132	142	153	133	134	135	144	156
520	MBh†	16.47	17.17	17.46	19.15	21.35	14.58	15.05	15.29	16.79	18.73	12.74	13.02	13.20	14.52	16.21	10.98	11.09	11.20	12.35	13.81	9.28	9.30	9.32	10.30	11.54
	S/T‡	1.00	0.91	0.74	0.70	0.53	1.00	0.93	0.75	0.72	0.53	1.00	0.96	0.77	0.73	0.54	1.00	0.98	0.78	0.75	0.55	1.00	1.00	0.81	0.78	0.56
	AMPS*	4.19	4.21	4.22	4.27	4.33	4.99	5.01	5.02	5.06	5.12	5.92	5.93	5.93	5.98	6.04	7.02	7.03	7.04	7.09	7.15	8.38	8.38	8.38	8.44	8.50
	HI PR	245	246	247	249	252	286	287	287	290	293	331	332	332	335	339	381	382	382	386	390	438	438	439	442	447
	LO PR	122	126	127	137	149	125	128	129	139	151	129	131	132	141	153	132	133	134	144	156	136	137	136	146	158
560	MBh†	16.97	17.51	17.78	19.51	21.74	15.01	15.35	15.56	17.09	19.05	13.12	13.28	13.42	14.77	16.48	11.29	11.32	11.39	12.55	14.03	9.54	9.56	9.46	10.46	11.71
	S/T‡	1.00	0.93	0.75	0.72	0.53	1.00	0.95	0.76	0.73	0.54	1.00	0.98	0.78	0.75	0.55	1.00	1.00	0.80	0.77	0.56	1.00	1.00	0.83	0.79	0.57
	AMPS*	4.23	4.25	4.25	4.30	4.37	5.03	5.04	5.05	5.10	5.15	5.96	5.96	5.97	6.02	6.08	7.06	7.07	7.07	7.12	7.18	8.42	8.42	8.42	8.47	8.53
	HI PR	246	247	247	250	253	287	287	288	290	294	332	332	333	336	339	382	383	383	386	390	439	439	439	443	447
	LO PR	125	128	129	139	151	128	130	131	141	153	132	133	133	143	155	135	135	136	146	157	139	139	138	148	160
640	MBh†	17.87	18.12	18.33	20.10	22.38	15.79	15.90	16.02	17.59	19.60	13.77	13.80	13.80	15.17	16.92	11.84	11.86	11.69	12.88	14.38	9.99	10.01	9.70	10.71	11.99
	S/T‡	1.00	0.97	0.78	0.75	0.55	1.00	0.99	0.79	0.76	0.56	1.00	1.00	0.81	0.78	0.56	1.00	1.00	0.84	0.81	0.58	1.00	1.00	0.87	0.84	0.59
	AMPS*	4.32	4.33	4.33	4.39	4.45	5.12	5.12	5.13	5.17	5.23	6.04	6.05	6.05	6.09	6.15	7.15	7.15	7.15	7.20	7.26	8.52	8.51	8.50	8.55	8.61
	HI PR	247	248	248	251	254	288	288	288	291	295	333	333	333	336	340	384	384	384	387	391	441	441	440	444	448
	LO PR	131	132	133	143	155	134	134	135	145	157	137	137	137	147	159	140	141	139	149	161	144	144	141	151	163

† Total capacities are net (I.D blower heat subtracted) system capacities based on 25' line set.
If additional tubing length and/or indoor unit is located above outdoor unit, a slight variation in capacity may occur.
* System amps are total of indoor and outdoor amps
‡ S/T are based on 80 F db entering air at the indoor coil. For sensible capacities at other than 80 F db, deduct 835 Btuh per 1000 cfm of indoor coil air from MBhxS/T for each degree below 80 F, or add 835 Btuh per 1000 cfm of indoor coil air from MBhxS/T for each degree above 80 F
†† At TVA rating indoor condition (75 F db/ 63 F wb), All other indoor air temperatures are at 80 F db

EXPANDED COOLING PERFORMANCE RATINGS For GKA100 Outdoor / Indoor Models

For complete ratings information, use the AHRI website directory search: www.AHRIdirectory.org.
 New ratings may be listed online before Specification Sheets are updated.

High Cool, CCH636GKA100 Outdoor With FVM4X60** Indoor Cooling**

CFM		Outdoor Ambient Temperature - Degrees F, Dry Bulb																								
		75					85					95					105					115				
		Entering Indoor Temperature - Degrees F, Wet Bulb																								
		57	62	63††	67	72	57	62	63††	67	72	57	62	63††	67	72	57	62	63††	67	72	57	62	63††	67	72
900	MBh†	32.06	34.14	34.91	37.94	42.13	30.95	32.62	33.36	36.28	40.33	29.77	31.03	31.72	34.54	38.42	28.50	29.35	29.99	32.68	36.41	27.15	27.58	28.17	30.73	34.28
	S/T‡	1.00	0.87	0.70	0.67	0.51	1.00	0.88	0.71	0.68	0.51	1.00	0.91	0.73	0.70	0.52	1.00	0.93	0.74	0.71	0.52	1.00	0.97	0.76	0.73	0.53
	AMPS*	9.25	9.33	9.36	9.48	9.63	10.25	10.32	10.35	10.46	10.61	11.33	11.38	11.40	11.51	11.67	12.49	12.53	12.55	12.67	12.84	13.79	13.81	13.84	13.96	14.14
	LO PR	121	128	130	140	153	124	130	132	143	156	128	133	135	145	158	132	135	137	148	161	136	138	140	150	164
975	MBh†	33.10	34.80	35.57	38.64	42.89	31.94	33.24	33.96	36.92	41.01	30.70	31.59	32.27	35.10	39.04	29.38	29.87	30.48	33.19	36.97	27.97	28.09	28.59	31.18	34.78
	S/T‡	1.00	0.89	0.71	0.69	0.51	1.00	0.91	0.73	0.70	0.52	1.00	0.93	0.74	0.71	0.53	1.00	0.96	0.76	0.73	0.53	1.00	0.99	0.78	0.75	0.55
	AMPS*	9.33	9.40	9.42	9.54	9.70	10.34	10.39	10.41	10.52	10.68	11.40	11.44	11.46	11.58	11.74	12.57	12.59	12.62	12.74	12.91	13.87	13.88	13.90	14.02	14.21
	LO PR	125	130	132	143	156	128	132	135	145	158	132	135	137	147	161	135	137	139	150	163	140	140	142	152	166
1050	MBh†	34.06	35.39	36.15	39.25	43.55	32.84	33.78	34.48	37.46	41.61	31.55	32.10	32.74	35.60	39.59	30.18	30.36	30.90	33.63	37.45	28.71	28.76	28.97	31.56	35.20
	S/T‡	1.00	0.91	0.73	0.70	0.52	1.00	0.93	0.74	0.72	0.53	1.00	0.96	0.78	0.73	0.53	1.00	0.99	0.78	0.75	0.54	1.00	1.00	0.81	0.78	0.56
	AMPS*	9.41	9.46	9.49	9.61	9.76	10.42	10.45	10.47	10.58	10.74	11.48	11.50	11.52	11.64	11.80	12.65	12.65	12.68	12.80	12.97	13.95	13.95	13.96	14.08	14.27
	LO PR	128	132	134	145	158	131	134	137	147	160	135	137	139	149	163	139	139	141	151	165	143	143	143	154	168
1200	MBh†	35.76	36.40	37.10	40.23	44.63	34.45	34.75	35.36	38.36	42.59	33.06	33.11	33.52	36.40	40.46	31.58	31.63	31.60	34.35	38.24	30.00	30.04	29.58	32.20	35.88
	S/T‡	1.00	0.96	0.76	0.73	0.53	1.00	0.98	0.78	0.75	0.54	1.00	1.00	0.80	0.77	0.55	1.00	1.00	0.82	0.79	0.56	1.00	1.00	0.85	0.82	0.58
	AMPS*	9.56	9.59	9.61	9.73	9.89	10.56	10.57	10.59	10.70	10.87	11.62	11.62	11.63	11.75	11.92	12.79	12.79	12.79	12.91	13.09	14.09	14.09	14.07	14.20	14.39
	LO PR	134	136	138	148	162	137	138	140	150	164	141	141	142	152	166	144	145	144	155	168	148	149	146	157	171

Low Cool, CCH636GKA100 Outdoor With FVM4X60** Indoor Cooling**

CFM		Outdoor Ambient Temperature - Degrees F, Dry Bulb																								
		75					85					95					105					115				
		Entering Indoor Temperature - Degrees F, Wet Bulb																								
		57	62	63††	67	72	57	62	63††	67	72	57	62	63††	67	72	57	62	63††	67	72	57	62	63††	67	72
720	MBh†	24.78	25.74	26.31	28.79	32.28	21.85	22.41	22.89	25.06	28.14	19.05	19.29	19.67	21.56	24.23	16.40	16.43	16.65	18.27	20.57	13.88	13.91	13.85	15.21	17.17
	S/T‡	1.00	0.91	0.73	0.70	0.52	1.00	0.94	0.75	0.72	0.53	1.00	0.97	0.77	0.74	0.54	1.00	1.00	0.79	0.76	0.55	1.00	1.00	0.82	0.79	0.56
	AMPS*	6.00	5.97	5.96	5.92	5.88	6.92	6.91	6.90	6.84	6.77	7.96	7.95	7.94	7.86	7.77	9.16	9.15	9.14	9.04	8.92	10.55	10.55	10.56	10.43	10.27
	LO PR	245	246	246	248	251	284	285	285	288	291	328	328	329	332	335	376	376	377	380	384	430	430	430	433	436
780	MBh†	25.58	26.23	26.78	29.30	32.86	22.54	22.84	23.28	25.49	28.61	19.64	19.69	19.98	21.90	24.61	16.89	16.92	16.90	18.54	20.88	14.29	14.32	14.04	15.42	17.40
	S/T‡	1.00	0.94	0.75	0.72	0.53	1.00	0.97	0.77	0.74	0.54	1.00	1.00	0.79	0.76	0.55	1.00	1.00	0.82	0.78	0.56	1.00	1.00	0.85	0.82	0.58
	AMPS*	6.00	5.99	5.98	5.94	5.90	6.92	6.92	6.91	6.85	6.78	7.96	7.96	7.95	7.87	7.78	9.14	9.14	9.15	9.05	8.93	10.53	10.53	10.56	10.43	10.27
	LO PR	134	136	138	148	162	137	139	140	151	165	141	141	143	153	167	145	146	145	156	170	150	150	148	158	173
840	MBh†	26.32	26.70	27.20	29.76	33.36	23.18	23.26	23.62	25.86	29.02	20.18	20.22	20.26	22.20	24.94	17.34	17.37	17.12	18.78	21.13	14.66	14.68	14.21	15.61	17.60
	S/T‡	1.00	0.97	0.77	0.74	0.54	1.00	1.00	0.79	0.76	0.55	1.00	1.00	0.81	0.78	0.56	1.00	1.00	0.84	0.81	0.57	1.00	1.00	0.88	0.84	0.59
	AMPS*	6.01	6.00	5.99	5.95	5.91	6.93	6.93	6.92	6.86	6.80	7.96	7.95	7.96	7.88	7.79	9.14	9.14	9.16	9.06	8.94	10.52	10.52	10.57	10.44	10.28
	LO PR	246	246	247	249	252	286	286	286	289	292	330	330	330	333	336	378	378	378	381	385	432	432	430	434	437
960	MBh†	27.65	27.70	27.90	30.50	34.18	24.31	24.36	24.19	26.47	29.69	21.14	21.18	20.72	22.69	25.48	18.14	18.17	17.49	19.18	21.56	15.31	15.34	14.51	15.92	17.93
	S/T‡	1.00	1.00	0.80	0.77	0.55	1.00	1.00	0.83	0.80	0.57	1.00	1.00	0.86	0.82	0.58	1.00	1.00	0.89	0.86	0.60	1.00	1.00	0.93	0.90	0.62
	AMPS*	6.03	6.03	6.02	5.99	5.95	6.94	6.94	6.95	6.89	6.83	7.96	7.96	7.98	7.91	7.82	9.13	9.13	9.18	9.08	8.96	10.51	10.51	10.58	10.46	10.30
	LO PR	247	247	248	250	253	287	287	287	290	293	331	331	331	333	337	380	380	378	381	385	433	433	431	434	438

† Total capacities are net (I.D blower heat subtracted) system capacities based on 25' line set.
 If additional tubing length and/or indoor unit is located above outdoor unit, a slight variation in capacity may occur.
 * System amps are total of indoor and outdoor amps
 ‡ S/T are based on 80 F db entering air at the indoor coil. For sensible capacities at other than 80 F db, deduct 835 Btuh per 1000 cfm of indoor coil air from MBhX/S/T for each degree below 80 F, or add 835 Btuh per 1000 cfm of indoor coil air from MBhX/S/T for each degree above 80 F
 †† At TVA rating indoor condition (75 F db/ 63 F wb), All other indoor air temperatures are at 80 F db

EXPANDED COOLING PERFORMANCE RATINGS For GKA100 Outdoor / Indoor Models

For complete ratings information, use the AHRI website directory search: www.AHRIdirectory.org.
New ratings may be listed online before Specification Sheets are updated.

High Cool, CCH648GKA100 Outdoor With FVM4X48**** Indoor Cooling

Table with columns for CFM, Outdoor Ambient Temperature (75, 85, 95, 105, 115), and Entering Indoor Temperature (57, 62, 63††, 67, 72) for performance metrics MBh†, S/T‡, AMPS*, HI PR, and LO PR.

Low Cool, CCH648GKA100 Outdoor With FVM4X48**** Indoor Cooling

Table with columns for CFM, Outdoor Ambient Temperature (75, 85, 95, 105, 115), and Entering Indoor Temperature (57, 62, 63††, 67, 72) for performance metrics MBh†, S/T‡, AMPS*, HI PR, and LO PR.

† Total capacities are net (I.D blower heat subtracted) system capacities based on 25' line set.
If additional tubing length and/or indoor unit is located above outdoor unit, a slight variation in capacity may occur.
* System amps are total of indoor and outdoor amps
‡ S/T are based on 80 F db entering air at the indoor coil. For sensible capacities at other than 80 F db, deduct 835 Btuh per 1000 cfm of indoor coil air from MBhxS/T for each degree below 80 F, or add 835 Btuh per 1000 cfm of indoor coil air from MBhxS/T for each degree above 80 F
†† At TVA rating indoor condition (75 F db/ 63 F wb). All other indoor air temperatures are at 80 F db

EXPANDED COOLING PERFORMANCE RATINGS For GKA100 Outdoor / Indoor Models

For complete ratings information, use the AHRI website directory search: www.AHRI.org
New ratings may be listed online before Specification Sheets are updated.

High Cool CCH660GKA100 Outdoor With FCM4X60**** Indoor Cooling

Table with columns for CFM, MBH, S/T, AMPS, HI PR, LO PR and rows for different indoor air temperatures (57, 62, 63††, 67, 72) at outdoor ambient temperatures of 75, 85, 95, 105, and 115 F. Rows are grouped by CFM (1500, 1625, 1750, 2000).

Low Cool CCH660GKA100 Outdoor With FCM4X60**** Indoor Cooling

Table similar to the High Cool section, but for Low Cool conditions. Columns and rows are the same, showing performance metrics for indoor air temperatures of 57, 62, 63††, 67, 72 at outdoor ambient temperatures of 75, 85, 95, 105, and 115 F. Rows are grouped by CFM (1200, 1300, 1400, 1600).

† Total capacities are net (I.D blower heat subtracted) system capacities based on 25' line set.

If additional tubing length and/or indoor unit is located above outdoor unit, a slight variation in capacity may occur.

* System amps are total of indoor and outdoor amps

‡ S/T are based on 80 F db entering air at the indoor coil. For sensible capacities at other than 80 F db, deduct 835 Btuh per 1000 cfm of indoor coil air from MBhx/S/T for each degree below 80 F, or add 835 Btuh per 1000 cfm of indoor coil air from MBhx/S/T for each degree above 80 F

†† At TVA rating indoor condition (75 F db/ 63 F wb). All other indoor air temperatures are at 80 F db

EXPANDED HEATING PERFORMANCE RATINGS For GKA100 Outdoor / Indoor Models

For complete ratings information, use the AHRI website directory search: www.AHRIdirectory.org.
New ratings may be listed online before Specification Sheets are updated.

High Heat CCH624GKA100 Size Outdoor With FVM4X24** Indoor Heating**

		Outdoor Ambient Temperature - Degrees F, Dry Bulb																							
		-3			7			17			27			37			47			57			67		
		Entering Indoor Temperature - Degrees F, Dry Bulb																							
CFM		65	70	75	65	70	75	65	70	75	65	70	75	65	70	75	65	70	75	65	70	75	65	70	75
600	MBh†	10.00	9.56	9.07	12.95	12.45	11.93	16.20	15.85	15.44	19.22	18.81	18.41	22.54	22.07	21.61	26.19	25.66	25.15	30.23	29.65	29.07	34.57	33.94	33.31
	T/R	13.50	12.90	12.20	17.80	17.10	16.30	22.70	22.10	21.50	27.40	26.80	26.10	32.70	32.00	31.30	38.80	37.90	37.10	45.70	44.70	43.70	53.30	52.20	51.10
	AMPS*	5.45	5.75	6.04	6.24	6.55	6.88	7.11	7.48	7.85	8.03	8.43	8.84	9.08	9.51	9.96	10.33	10.79	11.28	11.79	12.31	12.84	13.59	14.16	14.75
	HI PR LO PR	232 40	248 40	265 40	249 51	266 52	283 52	269 65	288 65	306 65	290 80	309 80	328 81	315 97	334 98	353 98	345 116	364 117	383 117	380 138	399 138	418 139	422 161	442 162	462 162
650	MBh†	10.11	9.67	9.18	13.14	12.59	12.08	16.34	15.99	15.59	19.40	18.99	18.57	22.77	22.30	21.83	26.49	25.95	25.43	30.59	30.00	29.42	35.01	34.37	33.73
	T/R	12.60	12.00	11.40	16.70	15.90	15.30	21.10	20.60	20.10	25.50	24.90	24.30	30.50	29.80	29.10	36.20	35.40	34.60	42.70	41.70	40.80	49.80	48.80	47.80
	AMPS*	5.43	5.72	6.02	6.19	6.51	6.83	7.02	7.39	7.77	7.91	8.31	8.72	8.93	9.35	9.80	10.13	10.59	11.08	11.54	12.05	12.58	13.28	13.83	14.42
	HI PR LO PR	229 40	245 40	262 40	245 51	261 52	279 52	264 65	282 65	300 65	284 80	302 80	321 81	307 97	325 98	345 98	335 116	354 117	373 117	369 137	388 138	407 138	409 160	429 161	449 162
700	MBh†	10.19	9.76	9.28	13.54	12.72	12.21	16.47	16.10	15.72	19.55	19.14	18.72	22.97	22.49	22.02	26.75	26.20	25.66	30.91	30.31	29.72	35.38	34.74	34.08
	T/R	11.80	11.30	10.70	16.00	15.00	14.30	19.80	19.30	18.80	23.90	23.40	22.80	28.60	28.00	27.30	34.00	33.20	32.40	40.00	39.20	38.30	46.70	45.80	44.80
	AMPS*	5.41	5.71	6.00	6.18	6.47	6.80	6.95	7.32	7.71	7.81	8.22	8.63	8.80	9.23	9.68	9.96	10.43	10.91	11.35	11.84	12.36	13.02	13.57	14.14
	HI PR LO PR	227 40	243 40	259 40	243 51	258 52	275 52	259 65	277 65	296 65	278 80	296 80	315 81	300 97	318 98	337 98	327 116	346 117	365 117	359 137	378 138	398 138	399 160	418 161	438 161
800	MBh†	10.35	9.93	9.45	13.76	12.94	12.43	16.66	16.31	15.95	19.82	19.41	18.98	23.31	22.83	22.35	27.17	26.62	26.07	31.43	30.81	30.21	35.96	35.30	34.65
	T/R	10.50	10.00	9.50	14.20	13.30	12.80	17.50	17.10	16.70	21.20	20.70	20.20	25.40	24.80	24.20	30.20	29.50	28.80	35.60	34.80	34.10	41.60	40.70	39.90
	AMPS*	5.39	5.69	5.99	6.13	6.42	6.75	6.85	7.23	7.61	7.67	8.08	8.49	8.61	9.04	9.48	9.71	10.18	10.66	11.05	11.53	12.04	12.68	13.21	13.77
	HI PR LO PR	222 40	239 40	255 40	237 51	252 51	269 52	251 65	269 65	287 65	268 80	286 80	305 80	289 97	307 97	326 98	314 116	333 116	352 117	345 137	363 137	383 138	383 160	402 160	422 161

Low Heat CH624GKA100 Size Outdoor With FVM4X24** Indoor Heating**

		Outdoor Ambient Temperature - Degrees F, Dry Bulb																							
		-3			7			17			27			37			47			57			67		
		Entering Indoor Temperature - Degrees F, Dry Bulb																							
CFM		65	70	75	65	70	75	65	70	75	65	70	75	65	70	75	65	70	75	65	70	75	65	70	75
480	MBh†	6.80	7.33	5.75	7.43	6.78	6.16	10.48	9.93	9.33	13.30	12.74	12.16	16.03	15.62	15.04	17.81	17.40	17.01	19.25	18.85	18.45	20.27	22.18	19.48
	T/R	8.70	9.30	7.30	10.20	9.30	8.40	15.50	14.70	13.70	21.40	20.50	19.50	28.30	27.50	26.40	34.80	33.90	33.10	42.10	41.10	40.10	50.30	54.90	48.10
	AMPS*	4.99	5.48	5.72	4.99	5.33	5.69	5.25	5.61	5.97	5.50	5.85	6.22	5.78	6.15	6.50	5.96	6.32	6.69	6.15	6.50	6.87	6.36	8.27	7.07
	HI PR LO PR	214 42	234 42	245 42	219 55	234 55	249 55	239 68	255 69	271 69	263 84	279 84	296 85	292 102	310 102	327 102	321 122	339 122	358 122	355 144	374 144	393 145	395 168	493 167	434 169
520	MBh†	6.88	6.25	5.80	7.53	6.93	6.26	10.63	10.07	9.47	13.50	12.93	12.32	16.22	15.81	15.36	18.02	17.61	17.22	19.50	19.09	18.68	20.57	20.16	19.75
	T/R	8.10	7.30	6.80	9.50	8.70	7.90	14.50	13.70	12.90	20.10	19.20	18.20	26.40	25.70	24.90	32.50	31.70	30.90	39.30	38.40	37.50	47.10	46.10	45.00
	AMPS*	4.98	5.33	5.71	4.97	5.32	5.68	5.20	5.56	5.93	5.42	5.77	6.13	5.66	6.03	6.40	5.81	6.17	6.54	5.97	6.32	6.69	6.16	6.49	6.85
	HI PR LO PR	212 42	227 42	243 42	217 55	232 55	247 55	236 68	251 69	267 69	258 84	274 84	291 85	285 102	303 102	321 102	312 121	330 122	349 122	344 143	363 144	382 144	383 168	402 168	421 169
560	MBh†	7.72	6.32	5.88	7.64	7.03	6.36	10.74	10.20	9.62	13.63	13.10	12.49	17.73	15.97	15.53	18.22	17.80	17.39	19.73	19.31	18.89	20.83	20.41	19.99
	T/R	8.40	6.90	6.40	9.00	8.20	7.40	13.60	12.90	12.20	18.80	18.00	17.20	26.80	24.10	23.40	30.50	29.70	29.00	37.00	36.10	35.20	44.30	43.30	42.30
	AMPS*	5.06	5.34	5.72	4.96	5.32	5.68	5.17	5.53	5.90	5.36	5.71	6.08	5.88	5.93	6.31	5.69	6.05	6.42	5.83	6.17	6.54	5.99	6.32	6.67
	HI PR LO PR	214 42	225 42	242 42	215 55	230 55	245 55	233 68	248 69	265 69	253 84	270 84	286 85	294 101	297 102	315 102	304 121	323 122	341 122	335 143	354 144	373 144	372 167	391 168	410 168
640	MBh†	6.86	6.46	6.10	7.81	7.21	6.70	11.00	10.44	10.09	14.02	13.40	13.13	16.66	16.26	16.16	18.55	18.13	18.10	20.13	19.69	19.74	21.28	20.84	20.41
	T/R	6.60	6.20	4.60	8.00	7.40	5.50	12.20	11.60	8.90	16.90	16.20	12.60	22.10	21.50	17.00	27.20	26.50	21.10	33.00	32.20	25.80	39.60	38.70	37.80
	AMPS*	4.99	5.37	5.68	4.97	5.34	5.62	5.14	5.50	5.73	5.29	5.64	5.79	5.43	5.79	5.88	5.53	5.87	5.90	5.63	5.96	5.92	5.75	6.07	6.41
	HI PR LO PR	207 42	223 42	236 42	212 55	227 55	239 55	228 68	244 69	253 69	246 84	263 84	270 84	268 101	286 102	290 102	292 121	310 121	311 121	320 143	339 143	337 143	354 167	373 167	392 168

† Total capacities are net (I.D blower heat added) system capacities based on 25' line set.
If additional tubing length and/or indoor unit is located above outdoor unit, a slight variation in capacity may occur.
* System amps are total of indoor and outdoor amps
T/R - Temp Rise is based on 25' line set.
If additional tubing length and/or indoor unit is located above outdoor unit, a slight variation in Temp Rise may occur.

EXPANDED HEATING PERFORMANCE RATINGS For GKA100 Outdoor / Indoor Models

For complete ratings information, use the AHRI website directory search: www.AHRIdirectory.org.
New ratings may be listed online before Specification Sheets are updated.

High Heat CCH636GKA100 Size Outdoor With FVM4X60** Indoor Heating**

		Outdoor Ambient Temperature - Degrees F, Dry Bulb																							
		-3			7			17			27			37			47			57			67		
		Entering Indoor Temperature - Degrees F, Dry Bulb																							
CFM		65	70	75	65	70	75	65	70	75	65	70	75	65	70	75	65	70	75	65	70	75	65	70	75
900	MBh†	13.45	12.69	11.89	17.97	17.24	16.44	22.59	21.86	21.06	27.67	27.15	26.56	31.93	31.33	30.73	36.40	35.74	35.08	41.08	40.35	39.63	45.98	45.15	44.37
	T/R	11.40	10.80	10.10	15.80	15.10	14.40	20.60	19.90	19.10	26.20	25.70	25.10	31.50	30.80	30.20	37.40	36.60	35.90	44.00	43.20	42.30	51.50	50.50	49.50
	AMPS*	8.24	8.66	9.08	8.77	9.20	9.64	9.32	9.77	10.23	9.97	10.46	10.96	10.58	11.09	11.61	11.31	11.83	12.37	12.18	12.71	13.28	13.24	13.80	14.38
	HI PR	222	237	252	237	252	268	254	270	287	276	293	312	298	316	334	324	343	362	355	375	394	394	413	433
	LO PR	39	39	39	50	50	50	62	63	63	77	77	77	93	93	94	111	111	112	131	131	132	153	153	154
975	MBh†	13.60	12.85	12.04	18.16	17.43	16.63	22.86	22.09	21.30	27.89	27.38	26.80	32.21	31.61	31.02	36.77	36.09	35.42	41.53	40.79	40.05	46.50	45.65	44.87
	T/R	10.70	10.10	9.40	14.80	14.10	13.50	19.30	18.60	17.90	24.40	23.90	23.40	29.30	28.70	28.10	34.90	34.20	33.40	41.10	40.30	39.50	48.10	47.10	46.20
	AMPS*	8.21	8.64	9.06	8.72	9.16	9.60	9.24	9.69	10.15	9.84	10.34	10.84	10.42	10.92	11.45	11.10	11.62	12.16	11.93	12.46	13.01	12.93	13.48	14.06
	HI PR	219	234	250	233	249	265	250	266	283	270	287	306	290	308	327	315	333	353	345	364	384	381	400	420
	LO PR	39	39	39	50	50	50	62	63	63	77	77	77	93	93	94	111	111	112	130	131	132	152	153	153
1050	MBh†	13.73	12.98	12.17	18.33	17.59	16.80	23.08	22.30	21.51	28.09	27.55	27.01	32.46	31.86	31.24	37.09	36.40	35.72	41.93	41.17	40.42	47.02	46.13	45.30
	T/R	10.00	9.40	8.80	13.80	13.20	12.60	18.10	17.40	16.80	22.80	22.40	21.90	27.40	26.90	26.30	32.70	32.00	31.30	38.50	37.80	37.00	45.20	44.20	43.30
	AMPS*	8.20	8.63	9.06	8.68	9.12	9.57	9.17	9.63	10.09	9.73	10.23	10.74	10.28	10.79	11.31	10.93	11.45	11.98	11.71	12.24	12.79	12.68	13.21	13.79
	HI PR	217	233	248	231	246	263	246	262	279	265	282	300	284	302	321	307	326	345	336	355	374	371	390	410
	LO PR	39	39	39	50	50	50	62	63	63	77	77	77	93	93	93	111	111	112	130	131	131	152	152	153
1200	MBh†	13.96	13.22	12.40	18.58	17.88	17.09	23.44	22.67	21.86	28.43	27.89	27.34	32.90	32.27	31.65	37.64	36.92	36.22	42.58	41.80	41.03	47.84	46.93	46.10
	T/R	8.90	8.40	7.90	12.30	11.80	11.20	16.10	15.50	14.90	20.20	19.80	19.40	24.30	23.80	23.30	29.00	28.40	27.80	34.20	33.50	32.80	40.20	39.40	38.60
	AMPS*	8.19	8.63	9.07	8.62	9.08	9.54	9.07	9.54	10.01	9.57	10.08	10.59	10.08	10.58	11.10	10.67	11.18	11.72	11.40	11.92	12.47	12.32	12.85	13.41
	HI PR	214	229	245	226	242	258	240	256	273	256	274	292	274	291	310	295	313	332	322	340	359	354	373	393
	LO PR	39	39	39	50	50	50	62	63	63	76	77	77	92	93	93	110	111	111	130	130	131	152	152	153

Low Heat CCH636GKA100 Size Outdoor With FVM4X60** Indoor Heating**

		Outdoor Ambient Temperature - Degrees F, Dry Bulb																							
		-3			7			17			27			37			47			57			67		
		Entering Indoor Temperature - Degrees F, Dry Bulb																							
CFM		65	70	75	65	70	75	65	70	75	65	70	75	65	70	75	65	70	75	65	70	75	65	70	75
720	MBh†	7.66	7.24	7.17	9.98	9.13	8.21	13.89	13.06	12.17	17.59	16.77	15.92	20.99	20.18	19.35	24.47	23.86	22.69	26.60	25.98	25.39	28.35	27.71	27.08
	T/R	7.00	6.60	6.50	9.70	8.80	7.90	14.40	13.50	12.50	19.50	18.60	17.60	25.10	24.00	23.00	31.70	30.80	29.20	37.60	36.60	35.70	44.10	43.00	41.90
	AMPS*	6.83	7.24	7.40	6.84	7.21	7.58	6.98	7.34	7.71	7.13	7.49	7.86	7.29	7.65	8.01	7.55	7.93	8.24	7.73	8.10	8.50	7.97	8.33	8.72
	HI PR	207	222	240	216	230	244	232	246	261	250	265	281	271	287	303	298	315	330	324	342	360	354	372	391
	LO PR	42	42	42	54	54	54	67	68	68	83	83	83	100	100	101	119	119	120	140	141	141	164	165	165
780	MBh†	7.39	7.33	7.26	10.11	9.25	8.33	14.08	13.24	12.35	17.83	17.01	16.15	21.30	20.47	19.63	24.74	24.15	23.22	26.94	26.32	25.68	28.76	28.10	27.46
	T/R	6.20	6.20	6.10	9.10	8.30	7.40	13.40	12.60	11.70	18.20	17.40	16.40	23.50	22.50	21.50	29.60	28.80	27.60	35.10	34.20	33.30	41.30	40.20	39.20
	AMPS*	6.78	7.24	7.69	6.81	7.19	7.57	6.93	7.30	7.67	7.05	7.42	7.79	7.20	7.55	7.92	7.41	7.79	8.14	7.57	7.94	8.32	7.78	8.14	8.52
	HI PR	205	221	238	214	228	243	229	244	259	246	261	277	266	282	298	290	308	324	315	333	351	343	361	380
	LO PR	42	42	42	54	54	54	67	68	68	82	83	83	100	100	100	119	119	120	140	141	141	164	164	165
840	MBh†	7.47	7.41	7.34	10.24	9.37	8.44	14.27	13.40	12.50	18.03	17.21	16.35	21.53	20.73	19.88	24.99	24.40	23.74	27.25	26.61	25.96	29.13	28.45	27.79
	T/R	5.80	5.80	5.70	8.50	7.80	7.00	12.70	11.90	11.00	17.10	16.30	15.50	22.00	21.20	20.30	27.70	27.00	26.20	33.00	32.10	31.30	38.80	37.80	36.90
	AMPS*	6.78	7.23	7.68	6.79	7.17	7.56	6.89	7.26	7.64	6.99	7.36	7.74	7.11	7.47	7.84	7.29	7.67	8.06	7.43	7.80	8.18	7.62	7.97	8.35
	HI PR	203	220	237	212	227	242	226	241	256	242	258	274	261	277	293	284	301	319	307	325	343	334	352	371
	LO PR	42	42	42	54	54	54	67	67	68	82	83	83	99	100	100	118	119	119	140	140	141	163	164	165
960	MBh†	7.62	7.56	7.50	10.44	9.57	8.63	14.55	13.67	12.77	18.38	17.56	16.69	22.04	21.17	20.31	25.41	24.79	24.17	27.77	27.10	26.45	29.76	29.05	28.35
	T/R	5.20	5.20	5.10	7.60	6.90	6.20	11.30	10.60	9.90	15.30	14.60	13.80	19.70	18.90	18.10	24.70	24.00	23.40	29.40	28.70	27.90	34.70	33.80	32.90
	AMPS*	6.77	7.23	7.69	6.76	7.15	7.55	6.83	7.21	7.60	6.90	7.27	7.65	6.99	7.34	7.72	7.11	7.49	7.88	7.22	7.58	7.96	7.38	7.72	8.09
	HI PR	202	218	235	209	224	239	222	237	253	236	252	268	253	269	286	273	291	309	294	312	330	318	336	355
	LO PR	42	42	42	54	54	54	67	67	68	82	83	83	99	100	100	118	119	119	139	140	140	163	163	164

† Total capacities are net (I.D blower heat added) system capacities based on 25' line set.
If additional tubing length and/or indoor unit is located above outdoor unit, a slight variation in capacity may occur.
* System amps are total of indoor and outdoor amps
T/R - Temp Rise is based on 25' line set.
If additional tubing length and/or indoor unit is located above outdoor unit, a slight variation in Temp Rise may occur.

EXPANDED HEATING PERFORMANCE RATINGS For GKA100 Outdoor / Indoor Models

For complete ratings information, use the AHRI website directory search: www.AHRIdirectory.org.
New ratings may be listed online before Specification Sheets are updated.

High Heat CCH648GKA100 Size Outdoor With FVM4X48** Indoor Heating**

CFM		Outdoor Ambient Temperature - Degrees F, Dry Bulb																							
		-3			7			17			27			37			47			57			67		
		Entering Indoor Temperature - Degrees F, Dry Bulb																							
		65	70	75	65	70	75	65	70	75	65	70	75	65	70	75	65	70	75	65	70	75	65	70	75
1200	MBH†	17.52	16.82	16.06	22.89	22.19	21.44	29.42	28.14	27.23	34.93	34.38	33.81	41.05	40.37	39.70	47.79	47.00	46.22	55.26	54.37	53.48	64.14	63.00	61.83
	T/R	12.60	12.00	11.50	16.60	16.10	15.50	21.70	20.70	20.00	26.10	25.60	25.10	31.00	30.50	29.90	36.60	35.90	35.30	42.90	42.20	41.40	50.50	49.50	48.50
	AMPS*	10.78	11.24	11.70	11.75	12.24	12.74	12.87	13.32	13.84	13.95	14.53	15.13	15.17	15.78	16.41	16.58	17.22	17.90	18.27	18.94	19.63	20.19	20.96	21.76
	HI PR LO PR	225 36	241 36	257 37	241 47	257 47	274 47	261 59	276 59	293 60	281 73	300 73	319 73	306 88	324 89	344 89	335 105	354 106	374 106	369 124	389 124	409 125	409 146	431 146	452 146
1300	MBH†	17.68	17.01	16.24	23.11	22.41	21.66	29.65	29.06	27.52	35.19	34.65	34.09	41.38	40.70	40.01	48.23	47.42	46.62	55.84	54.94	53.99	64.85	63.75	62.60
	T/R	11.70	11.20	10.70	15.50	15.00	14.50	20.20	19.70	18.60	24.20	23.80	23.40	28.90	28.40	27.80	34.10	33.50	32.80	40.00	39.30	38.50	47.20	46.30	45.30
	AMPS*	10.80	11.27	11.74	11.74	12.24	12.74	12.82	13.35	13.81	13.86	14.44	15.04	15.05	15.65	16.28	16.42	17.04	17.71	18.06	18.72	19.40	19.81	20.56	21.33
	HI PR LO PR	223 36	239 36	255 37	238 47	254 47	271 47	257 59	274 59	289 60	275 73	294 73	313 73	298 88	317 88	336 89	326 105	345 105	365 106	360 124	379 124	399 125	396 146	416 146	438 146
1400	MBH†	17.84	17.17	16.41	23.30	22.61	21.86	29.84	29.30	27.77	35.42	34.88	34.31	41.67	41.00	40.31	48.61	47.80	46.99	56.32	55.35	54.43	65.33	64.30	63.22
	T/R	11.00	10.50	10.10	14.50	14.10	13.60	18.80	18.50	17.40	22.70	22.30	21.80	27.00	26.50	26.00	31.90	31.30	30.70	37.50	36.80	36.10	44.10	43.30	42.50
	AMPS*	10.83	11.30	11.78	11.75	12.25	12.75	12.79	13.33	13.79	13.79	14.38	14.98	14.95	15.56	16.18	16.29	16.91	17.57	17.90	18.55	19.23	19.54	20.26	21.01
	HI PR LO PR	221 36	237 36	253 37	235 47	251 47	268 47	253 59	270 59	285 60	270 73	289 73	308 73	292 88	311 88	330 89	319 105	338 105	358 106	352 124	371 124	391 125	385 145	405 146	426 146
1600	MBH†	18.17	17.48	16.72	23.65	22.97	22.22	30.16	29.66	28.25	35.82	35.27	34.70	42.17	41.51	40.81	49.23	48.44	47.62	57.10	56.12	55.16	65.82	64.90	63.94
	T/R	9.80	9.40	9.00	12.90	12.50	12.10	16.70	16.30	15.50	20.00	19.70	19.30	23.90	23.50	23.00	28.30	27.80	27.30	33.30	32.60	32.00	38.90	38.30	37.60
	AMPS*	10.92	11.39	11.87	11.79	12.30	12.81	12.77	13.32	13.80	13.73	14.32	14.92	14.83	15.45	16.07	16.14	16.76	17.41	17.68	18.34	19.00	19.21	19.91	20.63
	HI PR LO PR	218 36	234 36	250 37	230 47	246 47	263 47	246 59	264 59	279 60	262 73	280 73	299 73	283 88	301 88	320 89	308 105	326 105	346 106	339 123	358 124	378 124	370 144	389 145	409 145

Low Heat CCH648GKA100 Size Outdoor With FVM4X48** Indoor Heating**

CFM		Outdoor Ambient Temperature - Degrees F, Dry Bulb																							
		-3			7			17			27			37			47			57			67		
		Entering Indoor Temperature - Degrees F, Dry Bulb																							
		65	70	75	65	70	75	65	70	75	65	70	75	65	70	75	65	70	75	65	70	75	65	70	75
960	MBH†	10.73	11.50	10.67	15.74	14.89	14.00	20.58	19.79	18.91	25.18	24.41	23.60	30.30	29.14	28.06	33.65	33.08	32.51	36.72	36.08	35.44	39.46	38.77	38.08
	T/R	7.50	8.00	7.40	11.60	11.00	10.30	16.10	15.50	14.80	21.10	20.40	19.70	27.20	26.10	25.00	32.50	31.90	31.20	38.40	37.70	36.90	45.10	44.20	43.30
	AMPS*	9.05	9.71	10.24	9.37	9.89	10.42	9.71	10.23	10.77	10.07	10.61	11.16	10.61	11.08	11.60	11.02	11.61	12.22	11.55	12.13	12.73	12.20	12.78	13.40
	HI PR LO PR	207 40	225 40	240 41	221 52	236 52	251 52	238 65	253 65	269 65	257 80	273 80	290 80	283 96	298 96	314 97	307 114	326 115	345 115	337 135	356 135	376 136	371 157	391 157	411 158
1040	MBH†	10.86	11.63	11.60	15.90	15.06	14.16	20.78	19.96	19.11	25.43	24.66	23.85	30.54	29.70	28.39	33.94	33.35	32.78	37.09	36.43	35.78	39.91	39.20	38.50
	T/R	7.00	7.50	7.40	10.80	10.20	9.60	15.00	14.40	13.80	19.60	19.00	18.30	25.30	24.50	23.40	30.20	29.70	29.10	35.80	35.10	34.40	42.10	41.20	40.40
	AMPS*	9.05	9.72	10.32	9.35	9.87	10.41	9.66	10.18	10.72	9.98	10.52	11.08	10.47	10.99	11.47	10.84	11.42	12.03	11.32	11.90	12.50	11.93	12.50	13.11
	HI PR LO PR	206 40	224 40	241 41	219 52	234 52	249 52	235 65	250 65	266 65	253 79	269 80	286 80	277 96	293 96	309 97	300 114	318 114	338 115	327 134	346 135	366 135	360 156	380 157	400 158
1120	MBH†	10.97	11.75	10.92	16.06	15.21	14.32	20.94	20.15	19.30	25.63	24.86	24.05	30.75	30.19	28.75	34.19	33.60	33.03	37.41	36.74	36.08	40.30	39.58	38.87
	T/R	6.60	7.00	6.50	10.20	9.60	9.00	14.10	13.50	12.90	18.40	17.80	17.20	23.60	23.10	22.00	28.30	27.80	27.20	33.60	32.90	32.20	39.50	38.70	37.90
	AMPS*	9.07	9.73	10.27	9.34	9.87	10.41	9.61	10.15	10.69	9.91	10.45	11.01	10.35	10.92	11.38	10.70	11.26	11.87	11.14	11.71	12.30	11.70	12.27	12.87
	HI PR LO PR	204 40	223 40	238 41	217 52	232 52	248 52	232 65	248 65	264 65	249 79	265 80	282 80	271 96	289 96	304 96	293 114	312 114	331 115	319 134	338 135	358 135	351 156	370 157	390 157
1280	MBH†	11.19	11.96	11.12	16.32	15.49	14.57	21.28	20.50	19.62	26.04	25.27	24.46	31.08	30.55	29.46	34.62	34.03	33.43	37.95	37.27	36.60	40.95	40.21	39.48
	T/R	5.80	6.20	5.80	9.00	8.50	8.00	12.50	12.00	11.50	16.30	15.80	15.30	20.90	20.50	19.70	25.10	24.60	24.10	29.80	29.20	28.60	35.10	34.40	33.70
	AMPS*	9.11	9.77	10.31	9.34	9.88	10.42	9.57	10.11	10.66	9.81	10.36	10.92	10.19	10.75	11.25	10.48	11.04	11.63	10.87	11.43	12.02	11.38	11.93	12.52
	HI PR LO PR	203 40	221 40	236 41	214 52	229 52	245 52	227 65	243 65	260 65	243 79	259 80	276 80	263 95	280 96	296 96	282 114	301 114	320 114	306 134	325 134	345 135	335 156	355 156	375 157

† Total capacities are net (I.D blower heat added) system capacities based on 25' line set.
If additional tubing length and/or indoor unit is located above outdoor unit, a slight variation in capacity may occur.
* System amps are total of indoor and outdoor amps
T/R - Temp Rise is based on 25' line set.
If additional tubing length and/or indoor unit is located above outdoor unit, a slight variation in Temp Rise may occur.

EXPANDED HEATING PERFORMANCE RATINGS For GKA100 Outdoor / Indoor Models

For complete ratings information, use the AHRI website directory search: www.AHRIdirectory.org.
New ratings may be listed online before Specification Sheets are updated.

High Heat CCH660GKA100 Size Outdoor With FCM4X60**** Indoor Heating

Table with columns for CFM, Outdoor Ambient Temperature (-3, 7, 17, 27, 37, 47, 57, 67), and Entering Indoor Temperature (65, 70, 75). Rows include performance metrics for 1500, 1625, 1750, and 2000 CFM models across MBh†, T/R, AMPS*, HI PR, and LO PR.

Low Heat CCH660GKA100 Size Outdoor With FCM4X60**** Indoor Heating

Table with columns for CFM, Outdoor Ambient Temperature (-3, 7, 17, 27, 37, 47, 57, 67), and Entering Indoor Temperature (65, 70, 75). Rows include performance metrics for 1200, 1300, 1400, and 1600 CFM models across MBh†, T/R, AMPS*, HI PR, and LO PR.

† Total capacities are net (I.D blower heat added) system capacities based on 25' line set.
If additional tubing length and/or indoor unit is located above outdoor unit, a slight variation in capacity may occur.
* System amps are total of indoor and outdoor amps
T/R - Temp Rise is based on 25' line set.
If additional tubing length and/or indoor unit is located above outdoor unit, a slight variation in Temp Rise may occur.

EXPANDED HEATING PERFORMANCE RATINGS For GKA300 Outdoor / Indoor Models

For complete ratings information, use the AHRI website directory search: www.AHRIdirectory.org. New ratings may be listed online before Specification Sheets are updated.

High Heat CCH624GKA300 Size Outdoor With FVM4X24**** Indoor Heating

Table with columns for Outdoor Ambient Temperature (-3, 7, 17, 27, 37, 47, 57, 67) and Entering Indoor Temperature (65, 70, 75). Rows include CFM, MBh†, T/R, AMPS*, HI PR, and LO PR for models 600, 650, 700, and 800.

Low Heat CH624GKA300 Size Outdoor With FVM4X24**** Indoor Heating

Table with columns for Outdoor Ambient Temperature (-3, 7, 17, 27, 37, 47, 57, 67) and Entering Indoor Temperature (65, 70, 75). Rows include CFM, MBh†, T/R, AMPS*, HI PR, and LO PR for models 460, 520, 560, and 640.

† Total capacities are net (I.D blower heat added) system capacities based on 25' line set. If additional tubing length and/or indoor unit is located above outdoor unit, a slight variation in capacity may occur. * System amps are total of indoor and outdoor amps. T/R - Temp Rise is based on 25' line set. If additional tubing length and/or indoor unit is located above outdoor unit, a slight variation in Temp Rise may occur.

EXPANDED HEATING PERFORMANCE RATINGS For GKA200 Outdoor / Indoor Models

For complete ratings information, use the AHRI website directory search: www.AHRIdirectory.org.
New ratings may be listed online before Specification Sheets are updated.

High Heat CCH648GKA200 Size Outdoor With FVM4X48** Indoor Heating**

CFM		Outdoor Ambient Temperature - Degrees F, Dry Bulb																							
		-3			7			17			27			37			47			57			67		
		Entering Indoor Temperature - Degrees F, Dry Bulb																							
		65	70	75	65	70	75	65	70	75	65	70	75	65	70	75	65	70	75	65	70	75	65	70	75
1200	MBH†	17.97	17.65	17.13	23.15	22.65	22.03	29.65	29.20	27.68	35.05	34.52	33.94	40.86	40.17	39.48	47.00	46.20	45.41	53.46	52.55	51.70	60.50	59.63	58.75
	T/R	12.70	12.40	12.10	16.70	16.30	15.90	21.90	21.60	20.40	26.60	26.10	25.60	31.70	31.10	30.50	37.40	36.70	36.00	43.60	42.80	42.00	50.70	49.90	49.00
	AMPS*	11.54	12.28	13.00	12.36	13.04	13.72	13.38	14.06	14.61	14.32	14.99	15.70	15.39	16.06	16.79	16.60	17.32	18.08	18.04	18.79	19.59	19.38	20.22	21.09
	HI PR	226	243	259	241	258	275	263	280	295	284	302	321	309	328	347	338	358	377	373	392	412	406	426	446
	LO PR	36	36	36	47	47	47	59	59	59	72	72	73	87	88	88	104	105	105	123	124	124	145	145	146
1300	MBH†	18.06	17.75	17.26	23.28	22.80	22.20	29.83	29.41	27.91	35.29	34.77	34.20	41.21	40.52	39.82	47.42	46.62	45.82	54.04	53.06	52.16	60.92	60.01	59.15
	T/R	11.80	11.60	11.20	15.50	15.20	14.70	20.40	20.00	19.00	24.70	24.30	23.80	29.50	29.00	28.40	34.80	34.20	33.50	40.70	39.90	39.10	47.10	46.30	45.60
	AMPS*	11.53	12.27	12.99	12.31	13.00	13.69	13.29	13.98	14.54	14.20	14.87	15.58	15.24	15.91	16.62	16.39	17.10	17.85	17.70	18.49	19.29	19.02	19.82	20.67
	HI PR	223	240	257	238	255	272	258	276	291	278	296	315	302	320	340	330	349	369	362	382	402	394	414	434
	LO PR	36	36	36	47	47	47	59	59	59	72	72	73	87	88	88	104	105	105	123	123	124	144	145	145
1400	MBH†	18.16	17.87	17.40	23.41	22.97	22.38	29.97	29.59	28.16	35.51	34.99	34.43	41.51	40.82	40.12	47.81	47.00	46.19	54.58	53.59	52.61	61.21	60.34	59.46
	T/R	11.00	10.80	10.50	14.50	14.20	13.80	19.00	18.70	17.80	23.10	22.70	22.30	27.60	27.10	26.60	32.60	32.00	31.40	38.20	37.40	36.70	44.00	43.30	42.50
	AMPS*	11.53	12.27	13.01	12.29	12.98	13.67	13.23	13.92	14.49	14.11	14.79	15.49	15.12	15.79	16.50	16.25	16.94	17.68	17.41	18.19	19.02	18.74	19.52	20.36
	HI PR	221	238	255	235	252	269	254	272	287	273	291	310	296	314	333	323	342	361	352	372	393	384	404	424
	LO PR	36	36	36	47	47	47	59	59	59	72	72	73	87	88	88	104	104	105	123	123	124	143	144	145
1600	MBH†	18.34	18.11	17.67	23.67	23.27	22.71	30.22	29.91	28.66	35.87	35.38	34.84	42.01	41.34	40.64	48.45	47.64	46.82	55.23	54.36	53.46	61.47	60.66	59.84
	T/R	9.70	9.60	9.30	12.80	12.60	12.30	16.80	16.60	15.80	20.40	20.10	19.70	24.50	24.00	23.60	28.90	28.40	27.80	33.80	33.20	32.60	38.60	38.10	37.40
	AMPS*	11.57	12.32	13.06	12.29	12.99	13.69	13.17	13.87	14.46	14.01	14.69	15.38	14.98	15.65	16.34	16.05	16.73	17.45	17.06	17.80	18.58	18.34	19.11	19.92
	HI PR	218	234	251	230	247	264	247	265	281	264	283	301	286	304	323	311	330	349	336	356	376	368	388	408
	LO PR	36	36	36	47	47	47	59	59	59	72	72	72	87	87	88	104	104	105	122	123	123	141	142	143

Low Heat CCH648GKA200 Size Outdoor With FVM4X48** Indoor Heating**

CFM		Outdoor Ambient Temperature - Degrees F, Dry Bulb																							
		-3			7			17			27			37			47			57			67		
		Entering Indoor Temperature - Degrees F, Dry Bulb																							
		65	70	75	65	70	75	65	70	75	65	70	75	65	70	75	65	70	75	65	70	75	65	70	75
960	MBH†	10.75	9.82	9.86	15.52	14.61	13.59	20.06	19.16	18.18	24.42	23.53	22.58	29.36	28.66	27.03	33.07	32.39	31.72	36.89	36.17	35.43	40.84	40.06	39.28
	T/R	8.60	7.90	7.90	12.90	12.20	11.30	17.40	16.60	15.70	22.20	21.30	20.40	27.90	27.20	25.50	32.90	32.20	31.40	38.60	37.70	36.90	45.00	44.00	43.10
	AMPS*	9.62	10.04	10.57	9.93	10.38	10.83	10.22	10.70	11.19	10.53	11.03	11.55	10.99	11.55	11.98	11.36	11.96	12.58	11.84	12.46	13.10	12.49	13.13	13.80
	HI PR	211	225	242	226	241	255	243	258	274	261	277	293	286	303	316	309	327	346	337	355	374	370	389	409
	LO PR	40	40	40	51	51	52	64	64	65	79	79	80	95	96	96	114	114	115	134	135	136	157	158	158
1040	MBH†	10.91	9.96	9.99	15.72	14.79	13.77	20.30	19.39	18.41	24.72	23.82	22.88	29.61	28.96	27.47	33.39	32.72	32.04	37.30	36.57	35.82	41.32	40.53	39.74
	T/R	8.10	7.40	7.40	12.10	11.40	10.60	16.30	15.50	14.70	20.70	19.90	19.10	25.90	25.30	24.00	30.70	30.00	29.30	36.00	35.20	34.40	42.00	41.10	40.20
	AMPS*	9.64	10.06	10.59	9.91	10.36	10.83	10.17	10.65	11.15	10.44	10.95	11.47	10.84	11.41	11.86	11.16	11.76	12.38	11.60	12.22	12.85	12.18	12.82	13.48
	HI PR	209	223	241	224	238	253	239	255	270	257	273	289	279	297	311	301	319	338	328	346	365	359	378	398
	LO PR	40	40	40	51	51	52	64	64	65	79	79	80	95	95	96	114	114	115	134	135	135	156	157	158
1120	MBH†	11.03	10.08	9.77	15.89	14.97	13.94	20.50	19.61	18.63	24.98	24.08	23.13	29.85	29.21	27.91	33.67	33.00	32.32	37.64	36.91	36.17	41.76	40.95	40.16
	T/R	7.60	6.90	6.70	11.40	10.70	9.90	15.30	14.60	13.80	19.40	18.70	17.90	24.30	23.70	22.60	28.70	28.10	27.40	33.70	33.00	32.30	39.40	38.60	37.80
	AMPS*	9.66	10.08	10.59	9.91	10.36	10.83	10.13	10.62	11.12	10.37	10.88	11.41	10.72	11.29	11.78	11.00	11.60	12.23	11.40	12.01	12.65	11.87	12.56	13.23
	HI PR	208	222	239	222	237	252	236	252	268	253	269	285	274	292	307	295	313	331	320	338	357	348	369	389
	LO PR	40	40	40	51	51	52	64	64	65	79	79	79	95	95	96	114	114	115	134	134	135	156	157	158
1280	MBH†	11.26	10.31	9.98	16.19	15.26	14.24	20.85	19.97	18.99	25.43	24.53	23.58	30.22	29.61	28.92	34.15	33.48	32.79	38.21	37.49	36.74	42.41	41.68	40.87
	T/R	6.80	6.20	6.00	10.10	9.50	8.90	13.60	13.00	12.30	17.30	16.70	16.00	21.50	21.00	20.50	25.50	24.90	24.40	30.00	29.30	28.70	35.00	34.40	33.60
	AMPS*	9.71	10.14	10.64	9.92	10.38	10.85	10.09	10.58	11.09	10.28	10.79	11.32	10.55	11.11	11.70	10.77	11.36	11.98	11.10	11.71	12.34	11.40	12.06	12.76
	HI PR	206	220	237	218	233	249	232	247	263	246	263	279	265	283	301	284	302	321	307	325	344	331	351	372
	LO PR	40	40	40	51	51	52	64	64	65	78	79	79	95	95	96	113	114	114	134	134	135	155	156	157

† Total capacities are net (I.D blower heat added) system capacities based on 25' line set.
If additional tubing length and/or indoor unit is located above outdoor unit, a slight variation in capacity may occur.
* System amps are total of indoor and outdoor amps
T/R - Temp Rise is based on 25' line set.
If additional tubing length and/or indoor unit is located above outdoor unit, a slight variation in Temp Rise may occur.

EXPANDED HEATING PERFORMANCE RATINGS For GKA200 Outdoor / Indoor Models

For complete ratings information, use the AHRI website directory search: www.AHRIdirectory.org.
New ratings may be listed online before Specification Sheets are updated.

High Heat CCH660GKA200 Size Outdoor With FVM4X60** Indoor Heating**

CFM		Outdoor Ambient Temperature - Degrees F, Dry Bulb																							
		-3			7			17			27			37			47			57			67		
		Entering Indoor Temperature - Degrees F, Dry Bulb																							
		65	70	75	65	70	75	65	70	75	65	70	75	65	70	75	65	70	75	65	70	75	65	70	75
1500	MBh†	23.79	22.84	21.87	29.29	28.50	27.71	36.45	36.04	34.56	42.81	42.34	41.89	50.01	49.45	48.89	57.93	57.25	56.55	66.85	66.02	65.16	75.37	74.43	73.45
	T/R	13.90	13.30	12.70	17.40	16.90	16.40	22.00	21.70	20.80	26.40	26.00	25.70	31.40	31.00	30.60	37.10	36.60	36.10	43.70	43.10	42.40	50.30	49.60	48.80
	AMPS*	14.16	14.77	15.38	15.03	15.68	16.36	16.15	16.89	17.50	17.26	18.03	18.85	18.58	19.40	20.27	20.13	20.99	21.88	21.65	22.54	23.49	23.59	24.56	25.58
	HI PR	229	245	261	243	259	276	262	280	296	281	300	320	305	325	345	334	354	374	362	382	403	398	419	441
	LO PR	35	36	36	46	46	47	58	58	59	72	72	72	87	87	87	103	103	104	122	122	122	140	141	142
1625	MBh†	24.02	23.07	22.08	29.54	28.74	27.94	36.69	36.27	34.84	43.07	42.61	42.15	50.33	49.77	49.21	58.31	57.63	56.94	67.16	66.38	65.56	75.53	74.67	73.74
	T/R	12.90	12.40	11.80	16.20	15.70	15.20	20.50	20.20	19.30	24.50	24.20	23.90	29.20	28.80	28.40	34.50	34.00	33.50	40.50	40.00	39.40	46.50	45.90	45.20
	AMPS*	14.21	14.82	15.43	15.04	15.69	16.38	16.11	16.84	17.47	17.18	17.94	18.74	18.44	19.24	20.10	19.92	20.76	21.65	21.34	22.23	23.15	23.17	24.12	25.13
	HI PR	226	242	258	239	256	273	257	275	291	275	294	314	298	317	337	325	345	365	351	371	392	385	406	428
	LO PR	35	36	36	46	46	47	58	58	59	72	72	72	87	87	87	103	103	104	121	121	122	139	140	141
1750	MBh†	24.26	23.30	22.32	29.79	28.99	28.18	36.89	36.48	35.20	43.31	42.85	42.39	50.62	50.06	49.50	58.70	58.00	57.30	67.40	66.64	65.85	75.47	74.68	73.83
	T/R	12.10	11.60	11.10	15.10	14.70	14.30	19.10	18.90	18.10	22.90	22.60	22.30	27.30	26.90	26.50	32.20	31.80	31.30	37.80	37.30	36.70	43.20	42.60	42.00
	AMPS*	14.27	14.88	15.50	15.07	15.73	16.41	16.10	16.83	17.47	17.12	17.89	18.68	18.34	19.13	19.99	19.71	20.60	21.48	21.12	21.99	22.92	22.84	23.78	24.77
	HI PR	224	240	256	236	253	270	253	271	287	270	289	309	291	311	331	317	337	358	343	362	383	374	395	416
	LO PR	35	36	36	46	46	47	58	58	59	72	72	72	87	87	87	103	103	103	120	121	121	138	139	139
2000	MBh†	24.72	23.75	22.75	30.26	29.44	28.63	37.26	36.85	36.40	43.75	43.28	42.82	51.14	50.57	50.01	59.34	58.68	57.99	67.57	66.90	66.19	72.61	72.84	72.85
	T/R	10.80	10.30	9.90	13.50	13.10	12.70	16.90	16.70	16.40	20.20	20.00	19.70	24.10	23.80	23.40	28.50	28.10	27.70	33.10	32.70	32.30	36.30	36.40	36.30
	AMPS*	14.42	15.04	15.67	15.18	15.83	16.52	16.12	16.86	17.60	17.10	17.86	18.65	18.25	19.04	19.87	19.43	20.29	21.20	20.84	21.70	22.60	21.99	23.04	24.13
	HI PR	221	236	253	231	248	265	246	264	283	262	280	300	282	301	320	303	323	344	329	348	369	348	372	396
	LO PR	35	35	36	46	46	47	58	58	58	72	72	72	86	87	87	103	103	103	119	120	120	131	133	136

Low Heat CCH660GKA200 Size Outdoor With FVM4X60** Indoor Heating**

CFM		Outdoor Ambient Temperature - Degrees F, Dry Bulb																							
		-3			7			17			27			37			47			57			67		
		Entering Indoor Temperature - Degrees F, Dry Bulb																							
		65	70	75	65	70	75	65	70	75	65	70	75	65	70	75	65	70	75	65	70	75	65	70	75
1200	MBh†	13.69	12.56	12.10	19.50	18.42	17.17	25.04	23.98	22.80	30.30	29.23	28.07	35.80	35.00	33.24	39.55	38.74	37.87	42.98	42.09	41.18	46.15	45.24	44.31
	T/R	8.50	7.80	7.50	12.70	12.00	11.20	17.30	16.50	15.70	22.20	21.40	20.50	27.90	27.20	25.80	33.00	32.20	31.40	38.50	37.60	36.70	44.60	43.60	42.60
	AMPS*	11.62	12.12	12.69	11.97	12.50	13.03	12.35	12.91	13.48	12.77	13.35	13.95	13.35	14.01	14.52	13.81	14.50	15.20	14.35	15.05	15.78	14.80	15.53	16.31
	HI PR	209	223	239	224	239	254	241	256	272	260	276	292	284	302	316	307	325	344	334	352	371	359	378	398
	LO PR	40	40	41	51	52	52	64	64	65	78	79	79	94	95	96	113	113	114	133	134	134	155	156	157
1300	MBh†	13.81	12.73	12.28	19.67	18.60	17.37	25.29	24.24	23.05	30.62	29.55	28.41	36.10	35.36	33.69	39.97	39.13	38.28	43.47	42.58	41.66	46.62	45.78	44.86
	T/R	7.90	7.30	7.00	11.90	11.20	10.40	16.10	15.40	14.60	20.70	19.90	19.10	26.00	25.40	24.10	30.70	30.00	29.30	35.90	35.10	34.30	41.60	40.80	39.90
	AMPS*	11.65	12.16	12.74	11.97	12.50	13.04	12.31	12.87	13.45	12.68	13.27	13.87	13.20	13.86	14.40	13.61	14.29	15.00	14.09	14.79	15.52	14.45	15.18	15.93
	HI PR	207	222	238	222	236	252	237	253	269	255	272	288	278	296	310	300	318	336	325	343	362	348	367	387
	LO PR	40	40	41	51	51	52	64	64	65	78	79	79	94	95	95	113	113	114	133	133	134	154	155	156
1400	MBh†	13.95	12.89	12.44	19.87	18.80	17.58	25.53	24.50	23.32	30.92	29.87	28.73	36.39	35.67	34.38	40.32	39.50	38.63	43.89	43.01	42.08	47.03	46.18	45.31
	T/R	7.40	6.80	6.60	11.10	10.50	9.80	15.10	14.50	13.70	19.40	18.70	17.90	24.30	23.80	22.90	28.80	28.20	27.50	33.70	32.90	32.10	39.00	38.20	37.40
	AMPS*	11.69	12.21	12.78	11.98	12.51	13.06	12.28	12.85	13.43	12.62	13.21	13.82	13.08	13.75	14.34	13.45	14.13	14.84	13.88	14.58	15.30	14.19	14.91	15.65
	HI PR	206	221	237	220	235	250	235	250	266	252	268	284	273	290	307	293	311	330	317	335	354	339	358	377
	LO PR	40	40	41	51	51	52	64	64	65	78	79	79	94	95	95	112	113	113	132	133	134	154	155	156
1600	MBh†	14.22	13.13	11.89	20.21	19.16	17.95	25.94	24.93	23.79	31.45	30.41	29.27	36.86	36.13	35.34	40.89	40.09	39.23	44.64	43.75	42.79	47.64	46.81	45.96
	T/R	6.60	6.10	5.50	9.90	9.40	8.80	13.40	12.90	12.30	17.30	16.70	16.00	21.60	21.10	20.60	25.60	25.00	24.40	30.00	29.30	28.60	34.50	33.90	33.20
	AMPS*	11.79	12.31	12.83	12.02	12.56	13.12	12.27	12.85	13.44	12.55	13.14	13.75	12.92	13.58	14.26	13.22	13.90	14.60	13.48	14.23	14.99	13.81	14.51	15.25
	HI PR	204	219	234	216	231	247	230	246	262	245	261	278	264	282	300	283	301	319	302	322	342	325	343	363
	LO PR	40	40	41	51	51	52	64	64	64	78	78	79	94	94	95	112	113	113	132	133	133	153	154	155

† Total capacities are net (I.D blower heat added) system capacities based on 25' line set.
If additional tubing length and/or indoor unit is located above outdoor unit, a slight variation in capacity may occur.
* System amps are total of indoor and outdoor amps
T/R - Temp Rise is based on 25' line set.
If additional tubing length and/or indoor unit is located above outdoor unit, a slight variation in Temp Rise may occur.

ACCESSORY USAGE GUIDELINES

Accessory	REQUIRED FOR LOW AMBIENT COOLING APPLICATIONS (16 SEER Product Only) (Below 55°F / 12.8°C)	REQUIRED FOR LONG LINE APPLICATIONS*	REQUIRED FOR SEA COAST APPLICATIONS (Within 2 miles/3.22km)
Compressor Start Assist Capacitor and Relay	NO	No	No
Crankcase Heater	Yes, Standard	Yes, Standard	No
Liquid Line Solenoid Valve	No	See Long Line Applications Guideline	No
Support Feet	Recommended	No	Recommended
Hard Shutoff TXV	Yes (Standard with factory approved indoor unit)	Yes (Standard with factory approved indoor unit)	Yes (Standard with factory approved indoor unit)
Evaporator Freeze Thermostat	Yes	No	No
Low-Ambient Pressure Switch	Yes	No	No
Isolation Relay	Yes	No	No

* For tubing line sets between 80 and 200 ft. (24.38 and 60.96 m) and/or 20 ft. (6.09 m) vertical differential, refer to Long Line Applications Guideline.

ACCESSORIES

Part Number	Description	Used On GKA100 Model Size	Used On GKA200/300 Model Size
NASA001LS	Liquid Line Solenoid Valve, HP, R-22 or R-410A	ALL	ALL
NASA001TD	Time Delay Relay, Indoor Blower	ALL	ALL
NASA001SF	Support Feet, 4" (102mm) tall	ALL	ALL
NASA00106SS	Snow Stand Kit	ALL	ALL
NASA010SC	Hard Start Kit (Capacitor & Relay)	24	N/A
NASA011SC	Hard Start Kit (Capacitor & Relay)	36	N/A
NASA012SC	Hard Start Kit (Capacitor & Relay)	48	24, 36
NASA013SC	Hard Start Kit (Capacitor & Relay)	60	N/A
NASA015SC	Hard Start Kit (Capacitor & Relay)	N/A	48, 60
NASA001FS	Evaporator Freeze Thermostat	N/A	ALL
NASA401LA	Low Ambient Kit (Pressure Switch) R-410A	N/A	ALL
NASA00101IK	Isolation Relay Kit	N/A	ALL

WALL CONTROL

TSTAT0101SC	Observer™ Self Configuring Communicating Wall Control	ALL	ALL
-------------	---	-----	-----